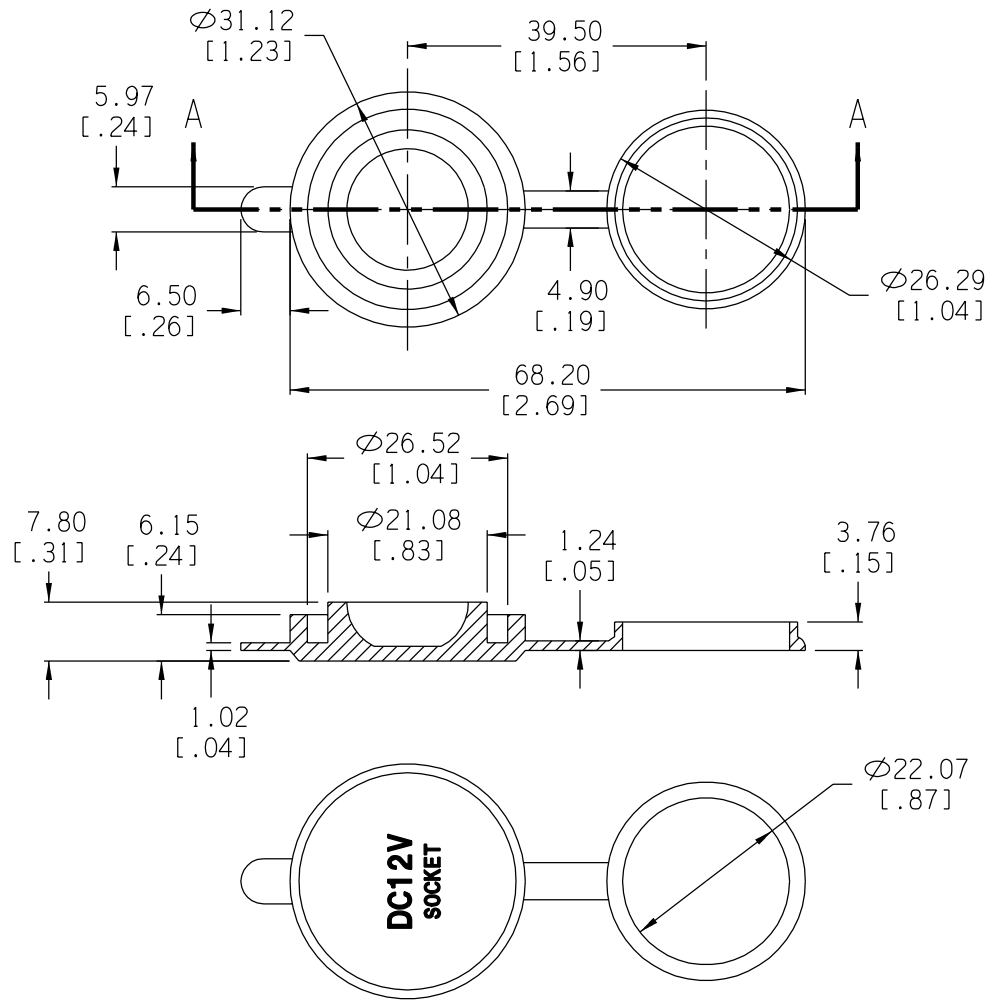



Date	SYM	REVISION RECORD	AUTH	DR.	CK.



NOTES:

MATERIAL: RUBBER  
COLOR: RED

Tolerance (Inches)	 Memory Protection Devices, Inc. 200 Broad Hollow Road, Farmingdale, New York 11735		
Decimal $\pm .5$ (.020)		Scale	Drawn By B.S. Approved By T.B.
Fractional $\pm .8$ (.030)	Title RUBBER CAP FOR CIGARETTE SOCKET		
Angular $\pm 3^\circ$	Date 06/12/04	Drawing Number ZA2081-R	